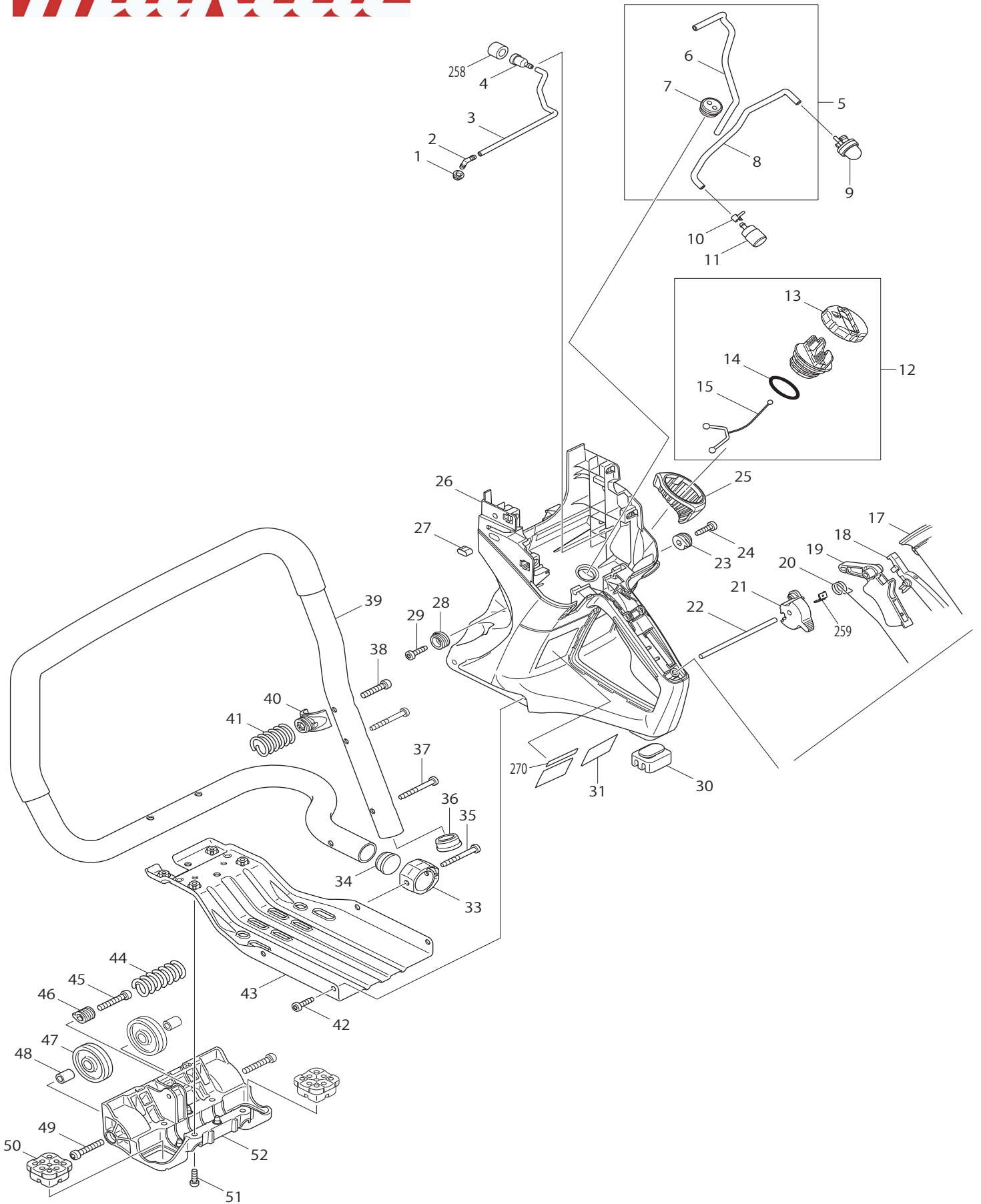
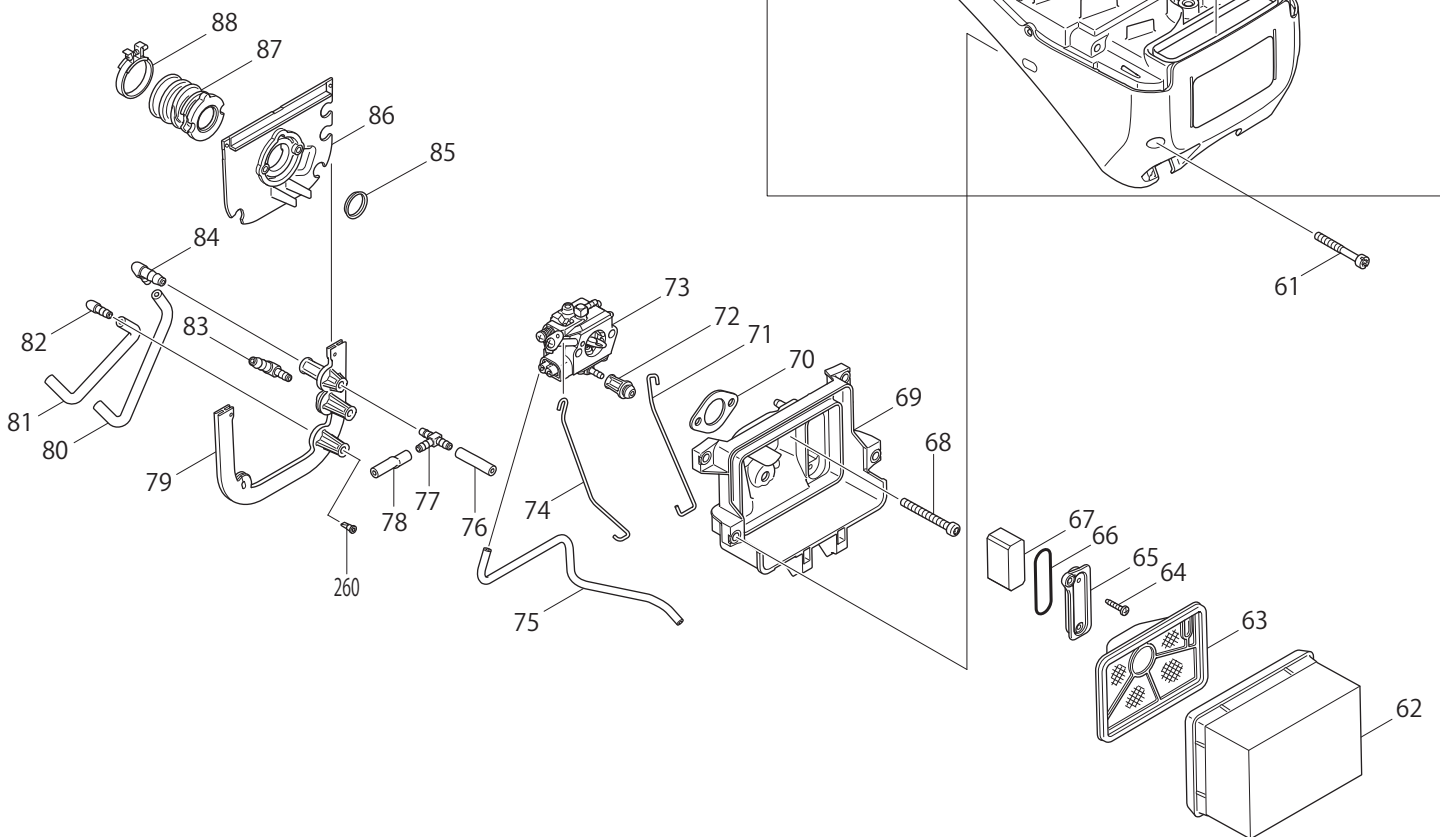
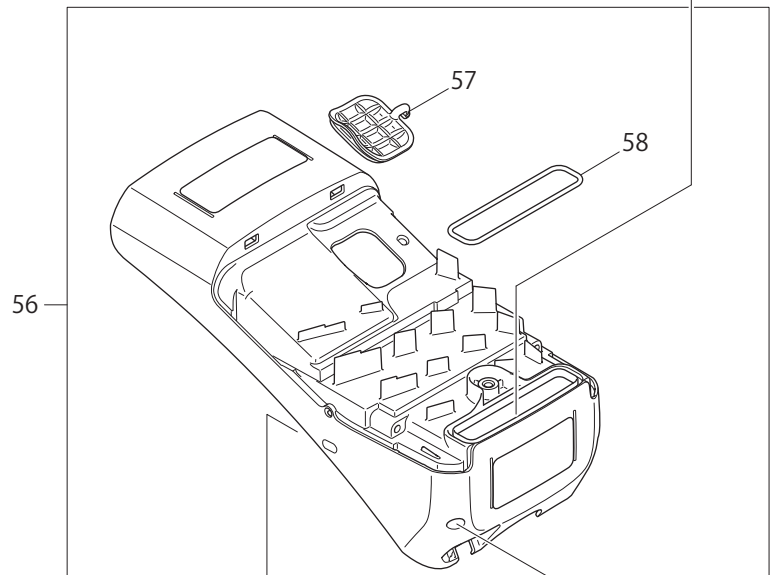
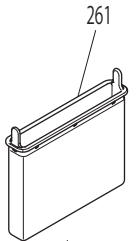
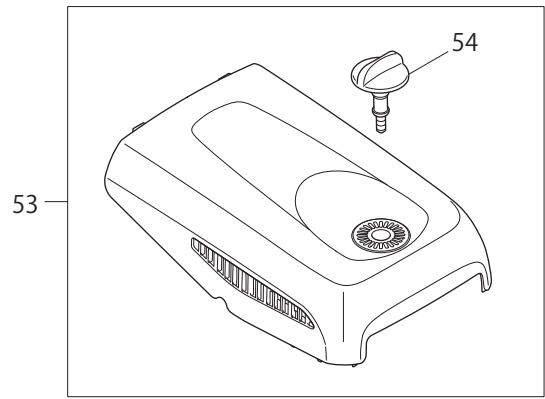
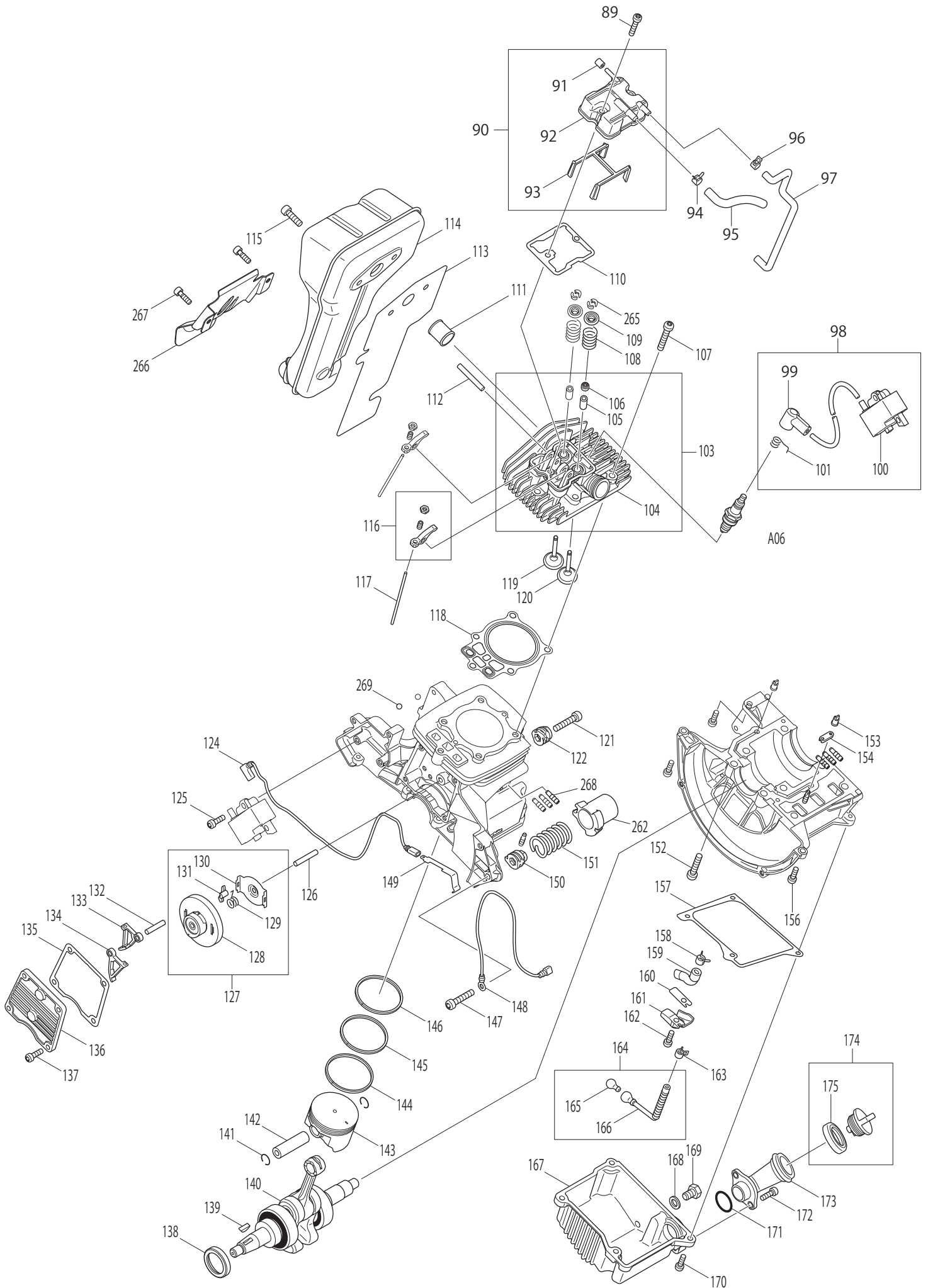




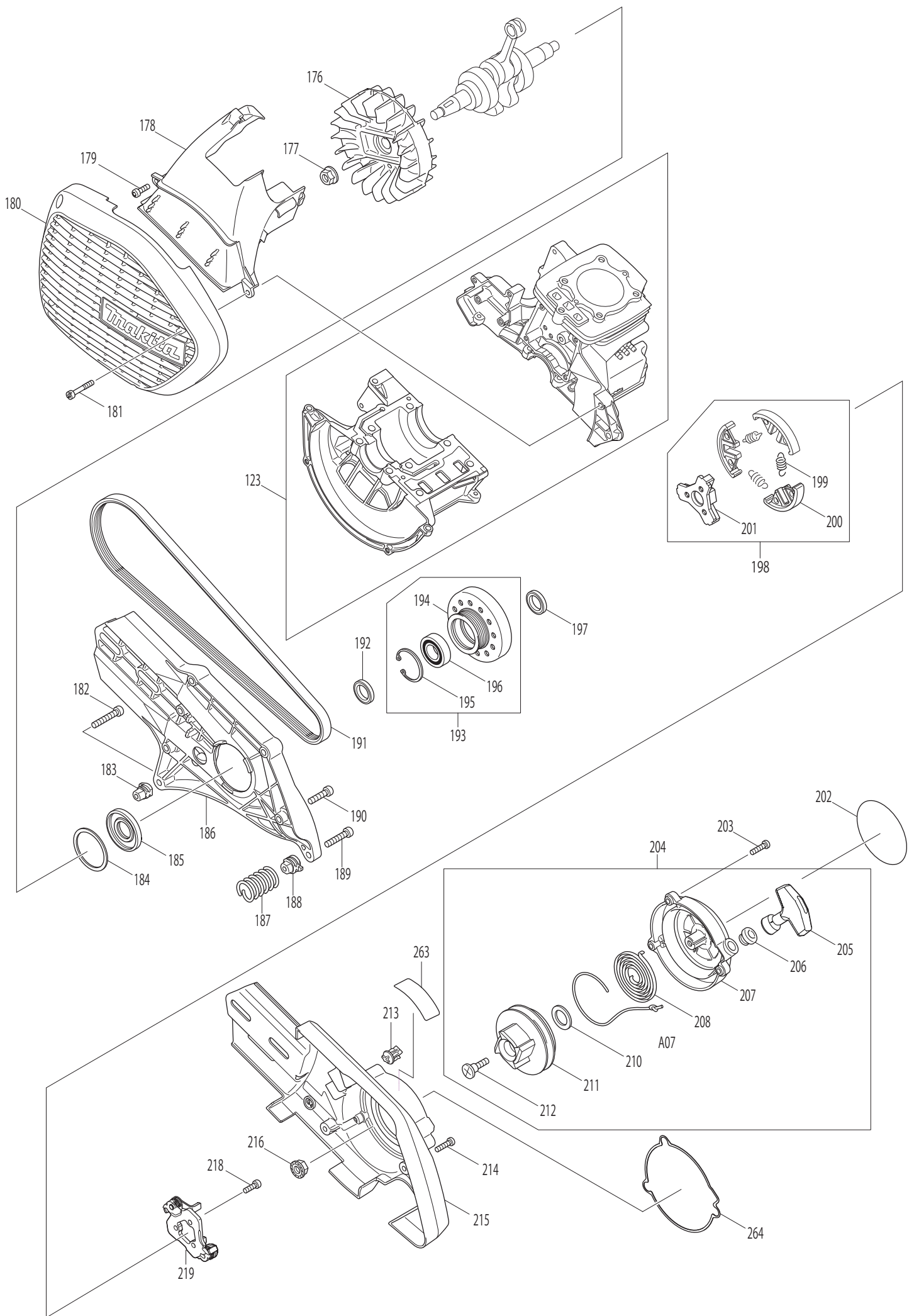
12 - 2012  
EK7651H, EK7651HD  
4 STRK POWER CUTTER 14"



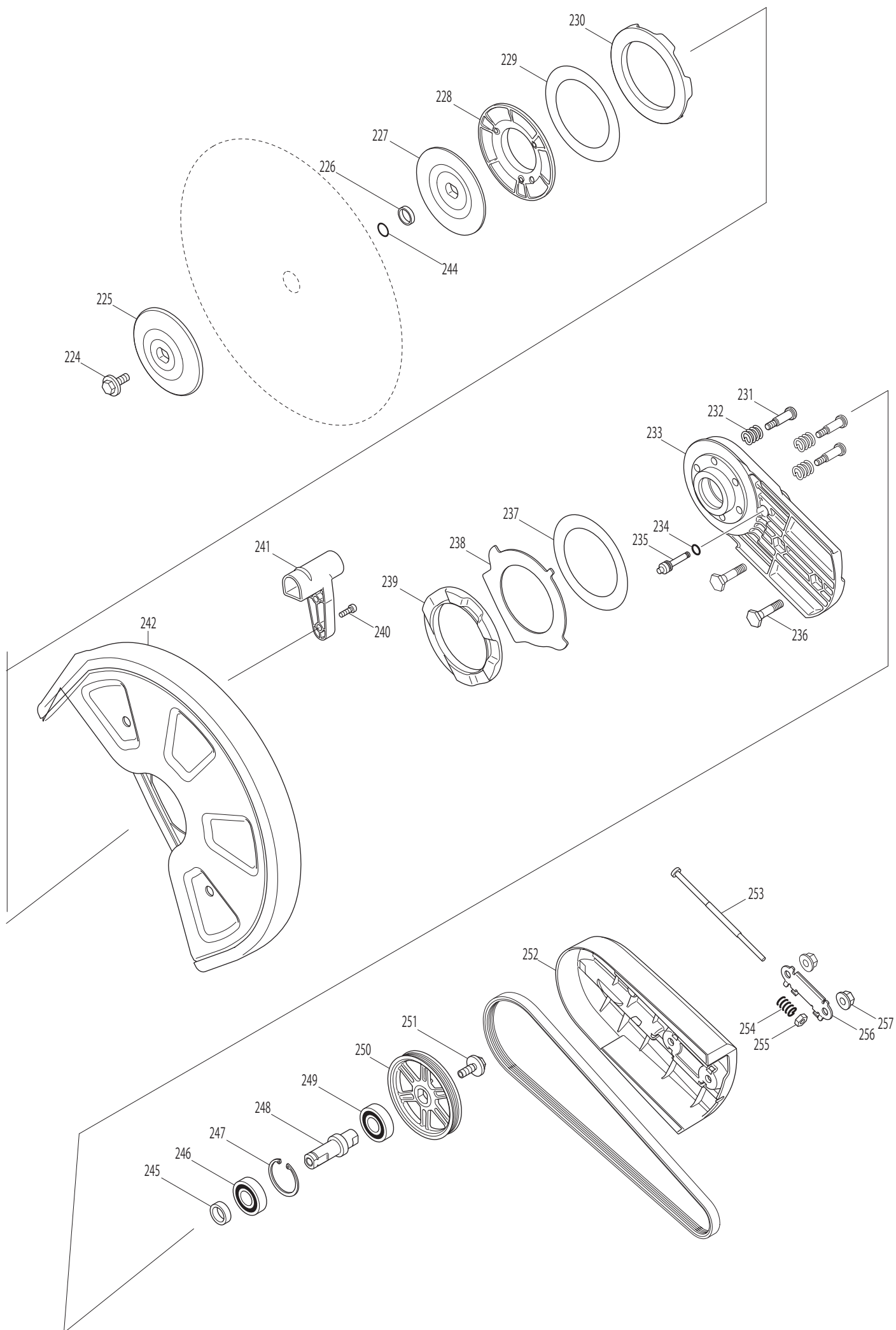




3 MODEL EK7651H, EK7651HD



4 MODEL EK7651H, EK7651HD



5 MODEL EK7651H, EK7651HD

Item No	Type	Ref	Part No	Description	Qty	Unit
1			421875-8	GROMMET	1	PC.
2			452800-8	HOSE JOINT 4-4	1	PC.
3			422083-4	TUBE 3-190	1	PC.
4			168396-6	BREATHER	1	PC.
5			168654-0	TUBE COMPLETE	1	PC.
		INC.		ITEM NO. 6-8		
6			422074-5	TUBE 3-120	1	PC.
7			424101-4	GROMMET	1	PC.
8			422108-4	TUBE L	1	PC.
9			168398-2	PRIMER PUMP	1	PC.
10			324616-0	HOSE CLAMP	1	PC.
11			163447-0	GASOLINE FILTER	1	PC.
12			140831-6	TANK CAP COMPLETE	1	PC.
		INC.		ITEM NO. 13-15		
13			452697-5	TANK CAP KNOB	1	PC.
14			213080-9	O RING 29.5	1	PC.
15			450957-9	STRAP	1	PC.
16			266475-5	TAPPING SCREW TORX 5.5X20	1	PC.
17			452736-1	GRIP COVER	1	PC.
18			452722-2	LOCK OFF LEVER	1	PC.
19			452721-4	THROTTLE LEVER	1	PC.
20			233590-0	TORSION SPRING 12	1	PC.
21			452723-0	SWITCH LEVER	1	PC.
22			256520-4	ROD 5	1	PC.
23			452742-6	REAR INNER HOLDER	1	PC.
24			266475-5	TAPPING SCREW TORX 5.5X20	1	PC.
25			424408-8	TANK GUARD	1	PC.
26			140774-2	TANK COMPLETE	1	PC.
		INC.		ITEM NO. 27-32		
			898274-3	INDICATION LABEL	1	PC.
27			424583-0	PLUG	1	PC.
28			452742-6	REAR INNER HOLDER	1	PC.
29			266475-5	TAPPING SCREW TORX 5.5X20	1	PC.
30			424404-6	REAR FOOT	1	PC.
31			869686-7	EK7651H NAME PLATE	1	PC.
33			452737-9	CLAMP	1	PC.
34			424410-1	RUBBER CAP	1	PC.
35			266687-0	TAPPING SCREW 5.5X45	1	PC.
36			424410-1	RUBBER CAP	1	PC.
37			266687-0	TAPPING SCREW 5.5X45	2	PC.
38			266659-5	H.L. SOCKET HEAD BOLT M6X30	1	PC.
39			331940-4	FRONT HANDLE	1	PC.
40			452741-8	CENTER OUTER HOLDER	1	PC.
41			234214-1	COMPRESSION SPRING 16	1	PC.
42			266475-5	TAPPING SCREW TORX 5.5X20	3	PC.
43			346433-8	BOTTOM PLATE	1	PC.
44			234213-3	COMPRESSION SPRING 13	1	PC.
45			266659-5	H.L. SOCKET HEAD BOLT M6X30	1	PC.
46			452740-0	FRONT INNER HOLDER	1	PC.
47			318727-1	ROLLER 45	2	PC.
48			257972-2	SLEEVE 6.5	2	PC.
49			266660-0	H.L. SOCKET HEAD BOLT M6X35	2	PC.
50			424405-4	FRONT FOOT	2	PC.
51			266652-9	H.L. SOCKET HEAD BOLT M5X16	4	PC.
52			318712-4	GUARD	1	PC.

Item No	Type	Ref	Part No	Description	Qty	Unit
53			140903-7	TOP COVER COMPLETE	1	PC.
		INC.		ITEM NO. 54		
54			266692-7	THUMB SCREW M6X15	1	PC.
56			140902-9	FILTER COVER COMPLETE	1	PC.
		INC.	800A37-1	CAUTION LABEL, EN/FR/SP	1	PC.
		INC.	893208-1	CAUTION LABEL, EN/FR/SP	1	PC.
		INC.	893209-9	CAUTION LABEL, EN/FR/SP	1	PC.
		INC.		ITEM NO. 57,58		
57			424409-6	PLUG COVER	1	PC.
58			424417-7	PACKING	1	PC.
61			266656-1	H.L. SOCKET HEAD BOLT M5X40	4	PC.
62			442165-6	AIR FILTER	1	PC.
63			424399-3	INNER FILTER	1	PC.
64			266127-8	+ TAPPING SCREW PT 3X20	2	PC.
65			452739-5	SEPARATER COVER	1	PC.
66			213459-4	O RING 32	1	PC.
67			352012-2	SEPARATOR MESH	1	PC.
68			266657-9	H.L. SOCKET HEAD BOLT M5X45	2	PC.
69			452720-6	FILTER BRACKET	1	PC.
70			442166-4	CARBURATOR GASKET	1	PC.
71			326040-3	THROTTLE LINKAGE	1	PC.
72			424407-0	RUBBER JOINT	1	PC.
73			168815-2	CARBURETOR	1	PC.
74			326041-1	CHOKE LINKAGE	1	PC.
75			422077-9	TUBE 3-190	1	PC.
76			422080-0	TUBE 3-35	1	PC.
77			452952-5	HOSE JOINT	1	PC.
78			422079-5	TUBE 3-45	1	PC.
79			424418-5	SEAL	1	PC.
80			422082-6	TUBE 3-130	1	PC.
81			422081-8	TUBE 3-75	1	PC.
82			452951-7	HOSE JOINT 4-4	1	PC.
83			452799-7	HOSE JOINT 4-6	1	PC.
84			452799-7	HOSE JOINT 4-6	1	PC.
85			346397-6	GUIDE RING	1	PC.
86			452724-8	CARBURETOR MOUNT	1	PC.
87			424397-7	SUCTION LINE	1	PC.
88			346495-6	HOSE CLAMP 30	1	PC.
89			266654-5	H.L. SOCKET HEAD BOLT M5X25	2	PC.
90			140898-4	ROCKER COVER COMPLETE	1	PC.
		INC.		ITEM NO. 91-93		
91			422073-7	TUBE 3-8	1	PC.
92			318708-5	ROCKER COVER	1	PC.
93			452726-4	OIL LINE	1	PC.
94			345918-1	HOSE CLAMP	1	PC.
95			422078-7	TUBE 5-70	1	PC.
96			345918-1	HOSE CLAMP	1	PC.
97			422076-1	TUBE 3-170	1	PC.
98			126006-1	IGNITION COIL ASSEMBLY	1	PC.
		INC.		ITEM NO. 99-101		
99			424105-6	PLUG CAP	1	PC.
100			125920-8	IGNITION COIL	1	PC.
101			326148-3	PLUG CAP SPRING	1	PC.
103			125946-0	CYLINDER HEAD ASSEMBLY	1	PC.
		INC.		ITEM NO. 104-106		

Item No	Type	Ref	Part No	Description	Qty	Unit
104			140928-1	CYLINDER HEAD COMPLETE	1	PC.
105			331969-0	VALVE GUIDE	2	PC.
106			424424-0	VALVE STEM SEAL	1	PC.
107			266660-0	H.L. SOCKET HEAD BOLT M6X35	5	PC.
108			234212-5	COMPRESSION SPRING 11	2	PC.
109			331966-6	RETAINER	2	PC.
110			346400-3	ROCKER COVER GASKET	1	PC.
111			331937-3	EXHAUST PORT SPACER	1	PC.
112	1		256201-0	PIN 5	1	PC.
	2		268310-3	PIN 5	1	PC.
113			346399-2	MUFFLER GASKET	1	PC.
114			168638-8	EXHAUST MUFFLER	1	PC.
115			266693-5	H.L. SOCKET HEAD BOLT M6X18	3	PC.
116			126005-3	ROCKER ARM ASSEMBLY	2	PC.
117			256526-2	PUSH ROD	2	PC.
118			442167-2	CYLINDER HEAD GASKET	1	PC.
119			331965-8	EXHAUST VALVE	1	PC.
120			331964-0	INTAKE VALVE	1	PC.
121			266659-5	H.L. SOCKET HEAD BOLT M6X30	1	PC.
122			318729-7	CENTER INNER HOLDER	1	PC.
123			140901-1	CYLINDER BLOCK COMPLETE	1	PC.
124			638776-5	LEAD UNIT	1	PC.
125			266652-9	H.L. SOCKET HEAD BOLT M5X16	2	PC.
126			256200-2	PIN 5	1	PC.
127			125934-7	CAM GEAR ASSEMBLY	1	PC.
		INC.		ITEM NO. 128-131		
128			140817-0	CAM GEAR COMPLETE	1	PC.
129			233582-9	TORSION SPRING 9	1	PC.
130			346434-6	CAM GEAR PLATE	1	PC.
131			318707-7	FLY WEIGHT	1	PC.
132			256186-0	PIN 5	1	PC.
133			313209-8	CAM LIFTER L	1	PC.
134			313210-3	CAM LIFTER R	1	PC.
135			442168-0	CAM GEAR GASKET	1	PC.
136			318725-5	CAM GEAR COVER	1	PC.
137			266652-9	H.L. SOCKET HEAD BOLT M5X16	4	PC.
138			213599-8	OIL SEAL(S)	1	PC.
139			254001-2	WOODRUFF KEY 4	1	PC.
140			140900-3	CRANKSHAFT COMPLETE	1	PC.
141			233995-4	RING SPRING 12	2	PC.
142			326039-8	PISTON PIN	1	PC.
143			318726-3	PISTON	1	PC.
144			257332-8	SECOND RING	1	PC.
145			257333-6	OIL RING	1	PC.
146			257331-0	TOP RING	1	PC.
147			266659-5	H.L. SOCKET HEAD BOLT M6X30	1	PC.
148			638777-3	LEAD UNIT	1	PC.
149			232268-2	CONTACT SPRING	1	PC.
150			318730-2	REAR OUTER HOLDER	1	PC.
151			234214-1	COMPRESSION SPRING 16	1	PC.
152			266659-5	H.L. SOCKET HEAD BOLT M6X30	8	PC.
153			424201-0	CHECK VALVE	2	PC.
154			424406-2	GROMMET	1	PC.
156			266652-9	H.L. SOCKET HEAD BOLT M5X16	3	PC.
157			452738-7	OIL CASE GASKET	1	PC.



Item No	Type	Ref	Part No	Description	Qty	Unit
158			345918-1	HOSE CLAMP	1	PC.
159			422084-2	TUBE 5-55	1	PC.
160			346398-4	LEAD VALVE	1	PC.
161			318709-3	RETAINER PLATE	1	PC.
162			266652-9	H.L. SOCKET HEAD BOLT M5X16	1	PC.
163			345918-1	HOSE CLAMP	1	PC.
164			168655-8	OIL TUBE COMPLETE	1	PC.
		INC.		ITEM NO. 165,166		
165			326177-6	OIL WEIGHT	1	PC.
166			424384-6	OIL TUBE	1	PC.
167			318710-8	OIL CASE	1	PC.
168			346452-4	GASKET	1	PC.
169			921412-3	HEX. BOLT M8X12	1	PC.
170			266652-9	H.L. SOCKET HEAD BOLT M5X16	4	PC.
171			213548-5	O-RING 20	1	PC.
172			266862-8	H.L.S.H. BOLT M5X16 WITH WR	2	PC.
173			452614-5	OIL PIPE	1	PC.
174			140899-2	OIL CAP COMPLETE	1	PC.
		INC.		ITEM NO. 175		
175			424421-6	OIL CAP GASKET	1	PC.
176			318704-3	FLYWHEEL	1	PC.
177			264054-3	FLANGE NUT M10	1	PC.
178			452617-9	CYLINDER COVER	1	PC.
179			266652-9	H.L. SOCKET HEAD BOLT M5X16	1	PC.
180			452616-1	FAN COVER	1	PC.
181			266655-3	H.L. SOCKET HEAD BOLT M5X30	4	PC.
182			266659-5	H.L. SOCKET HEAD BOLT M6X30	1	PC.
183			318728-9	FRONT OUTER HOLDER	1	PC.
184			267448-1	FLAT WASHER 41	1	PC.
185			213598-0	OIL SEAL(L)	1	PC.
186			318711-6	CUTTING ARM	1	PC.
187			234214-1	COMPRESSION SPRING 16	1	PC.
188			318730-2	REAR OUTER HOLDER	1	PC.
189			266659-5	H.L. SOCKET HEAD BOLT M6X30	1	PC.
190			266658-7	H.L. SOCKET HEAD BOLT M6X25	5	PC.
191			225094-6	V BELT 5-800	1	PC.
192			331970-5	SPACER17	1	PC.
193			125945-2	CLUTCH DRUM ASSEMBLY	1	PC.
		INC.		ITEM NO. 194-196		
194			165636-3	CLUTCH DRUM	1	PC.
195			962163-9	RETAINING RING R-35	1	PC.
196			210138-5	BALL BEARING 6003LLU	1	PC.
197			331970-5	SPACER17	1	PC.
198			168834-8	CLUTCH COMPLETE	1	PC.
		INC.		ITEM NO. 199-201		
199			231884-7	TENSION SPRING 6	3	PC.
200			313207-2	CLUTCH SHOE	3	PC.
201			313208-0	CLUTCH HOLDER	1	PC.
202			893121-3	EK7651H MODEL NO.LABEL	1	PC.
202A			802Y48-6	EK7651HD MODEL NO.LABEL	1	PC.
203			266792-3	-H.L. SOCKET HEAD BOLT M5X18	3	PC.

Item No	Type	Ref	Part No	Description	Qty	Unit
204			125919-3	STARTER ASSEMBLY	1	PC.
		INC.		ITEM NO. 205-212		
205			424501-8	STARTER KNOB	1	PC.
206			332046-1	ROPE GUIDE	1	PC.
207			452613-7	STARTER CASE	1	PC.
208			232262-4	SPIRAL SPRING	1	PC.
210			424500-0	ROPE STOPPER	1	PC.
211			453466-7	REEL	1	PC.
212			266634-1	SET SCREW M6X20	1	PC.
213			452930-5	HOLDER	1	PC.
214			266653-7	H.L. SOCKET HEAD BOLT M5X20	3	PC.
215			452621-8	CLUTCH COVER	1	PC.
216			264080-2	HEX. LOCK NUT M10-17	1	PC.
218			266784-2	H.L. SOCKET HEAD BOLT M5X12	3	PC.
219			140816-2	RATCHET COMPLETE	1	PC.
224			266690-1	HEX. BOLT M8X25	1	PC.
225			224443-4	FLANGE 102	1	PC.
226			257314-0	RING 17 F/EK7651HD (Type 1)	1	PC.
226A			257312-4	RING17 F/EK7651H (Type 1)	1	PC.
227			224443-4	FLANGE 102	1	PC.
228			318746-7	PRESSURE RING	1	PC.
229			442169-8	SLIDING DISC	1	PC.
230			424426-6	RUBBER RING(INNER)	1	PC.
231			266689-6	H.L.COLLRAR BOLT M6	3	PC.
232			234216-7	COMPRESSION SPRING 8	3	PC.
233			318722-1	CUTTING DEVICE	1	PC.
234			213625-3	O-RING 9	1	PC.
235			326038-0	LOCK SHAFT	1	PC.
236			266688-8	HEX. BOLT M8	2	PC.
237			442169-8	SLIDING DISC	1	PC.
238			346455-8	IMPACT PLATE	1	PC.
239			424427-4	RUBBER RING(OUTER)	1	PC.
240			266725-8	-H.L.SOCKET HEAD BOLT M5X16	2	PC.
241			452938-9	GRIP	1	PC.
242			140926-5	HOOD COMPLETE	1	PC.
		INC.	892688-8	CAUTION LABEL	1	PC.
		INC.	893217-0	CAUTION LABEL, FR/SP	1	PC.
244			213162-7	O RING 14 (Type 1)	1	PC.
245			257971-4	RING 17	2	PC.
246			211281-3	BALL BEARING 6203LLU	1	PC.
247			962157-4	RETAINING RING R-40	1	PC.
248			326379-4	SPINDLE 20MM F/EK7651H	1	PC.
			326380-9	SPINDLE 1" F/EK7651HD	1	PC.
249			211281-3	BALL BEARING 6203LLU	1	PC.
250			222174-9	V PULLEY 5-95.8	1	PC.
251			266690-1	HEX. BOLT M8X25	1	PC.
252			452698-3	BELT COVER	1	PC.
253			266691-9	TENSIONING SCREW M6	1	PC.
254			234215-9	COMPRESSION SPRING 6	1	PC.
255			252157-5	SQUARE NUT M6	1	PC.
256			346457-4	PLATE	1	PC.
257			264081-0	HEX. NUT M8	2	PC.
258			424023-8	SPONGE SLEEVE 9	1	PC.
259			346554-6	PLATE	1	PC.

Item No	Type	Ref	Part No	Description	Qty	Unit
260			424316-3	CHECK VALVE	1	PC.
262			424499-9	RUBBER SLEEVE 22	1	PC.
263			800E23-6	CAUTION LABEL	1	PC.
264			346611-0	STARTER COVER GASKET	1	PC.
265			331967-4	COTTER	4	PC.
266			346589-7	MUFFLER GUARD	1	PC.
267			266782-6	H.L.S. HEAD BOLT M5X16 WITH WG	2	PC.
268			325665-0	JOINT PIPE	4	PC.
269			331897-9	BALL	2	PC.
270			897179-4	SERIAL NO. LABEL	1	PC.
E03			898856-1	CAUTION TAG	1	PC.
E04			800C27-6	GAS EMISSION APPROVAL LABEL	1	PC.
C01			872173-7	CARTON F/EK7651H, EK7651HD	1	PC.
<b>ACCESSORIES</b>			<b>- See Catalogue or visit <a href="http://www.makita.ca">www.makita.ca</a> for more accessories -</b>			
A01			195488-8	TOOL KIT	1	PC.
	INC.		782025-3	TORX WRENCH	1	PC.
	INC.		782236-0	WRENCH 13-16	1	PC.
	INC.		783012-5	SCREWDRIVER	1	PC.
	INC.		831340-3	TOOL BAG - N/A individually	1	PC.
A02			195532-1	OIL BOTTLE SET	1	SET
	INC.		041031-0	ENGINE OIL SL 0.22L - N/A individually	1	PC.
	INC.		452801-6	BOTTLE - N/A individually	1	PC.
	INC.		890509-8	OIL BOTTLE LABEL - N/A individually	1	PC.
A03			195533-9	WATER SET	1	SET
	INC.		123120-4	COUPLING SLEEVE	1	PC.
	INC.		126068-9	WATER SET PART	1	PC.
	INC.		266707-0	H.L.SOCKET HEAD BOLT M5X10	1	PC.
	INC.		452930-5	HOLDER	1	PC.
A04			195945-6	PRE FILTER SET	1	SET
	INC.		424398-5	PRE FILTER - N/A individually	1	PC.
	INC.		831200-9	POLY BAG 200X270	1	PC.
	INC.		898702-8	CAUTION LABEL - N/A individually	1	PC.
A05			191686-2	SAFETY GOGGLE	1	PC.
A06			168652-4	SPARK PLUG NGK CMR6H	1	PC.
A07			444040-2	STARTER ROPE	1	PC.
A08			166106-5	DUST BAG	1	PC.
A09			394 369 610	GUIDE TROLLEY COM. (DT4000)	1	PC.
A10			966 144 120	14" CUTTING DISK F/STONE 1" (F/EK7651HD)	1	PC.
A10A			966 141 120	14" CUTTING DISK F/STONE 20MM (F/EK7651H)	1	PC.
A11			966 144 150	14" CUTTING DISK F/STEEL 1" (F/EK7651HD)	1	PC.
A11A			966 141 150	14" CUTTING DISK F/STEEL 20MM (F/EK7651H)	1	PC.
A12			A-94736	14" DIAMOND 1"/20MM	1	PC.
A13			T-00745C-48	2CY SYN OIL 50:1(2.6OZ)48BL/CS	1	PC.
A14			T-00739C-48	2CY SYN OIL 50:1(6.4OZ)48BL/CS	1	PC.
A15			196588-7	RING SET	1	PC.
A16			980 008 629	FILTER CLEANER/OIL SET	1	PC.